



**ELLIE'S JUMP BALANCE BEAM  
DL-LBB-GRC**

Enjoy a place to relax, talk and watch the action with this life-like log bench. The bench is artfully designed and hand painted with wood grain and bark finishes. It is constructed of glass fiber reinforced concrete (GFRC) for longevity and durability. The bench log is perfect for any naturalized play area.

**KEY FEATURES**

**PRODUCT DIMENSIONS**

DIMENSIONS: Approx. 54" L x 38" W x 38" H  
WEIGHT: APPROX. 450 LBS

**SHIPPING DIMENSIONS**

SHIPPING: 54" x 38" x 38"  
MOUNT TYPE : Surface

**MATERIALS**

The tunnel is made of Glass Fiber Reinforced Concrete or GFRC. Concrete thickness ranges from a minimum of 1" to a maximum of 3.5" thick. The elements are all IPEMA certified and meet ASTM A-82/A-185.

**WARRANTY**

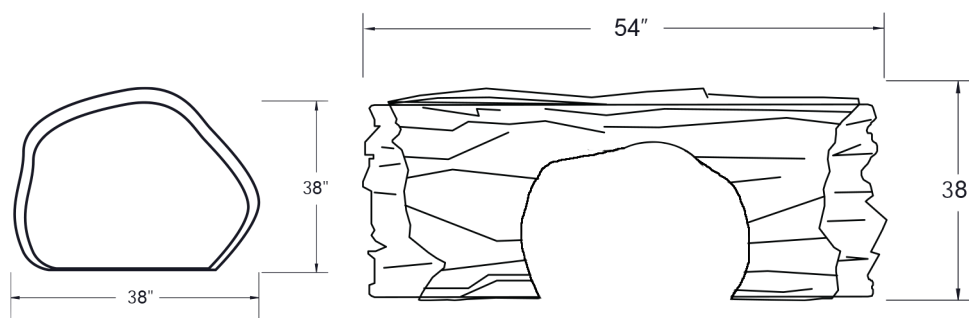
All items are guaranteed to be free of defects in workmanship or materials for one year. Fifteen year limited warranty on hardware. Five year limited warranty on Glass Fiber Reinforced Concrete, (GFRC), material, against structural failure due to natural deterioration or manufacturing defects. *NOTE: The warranty does not cover minor chips, hairline cracks or efflorescence, which can be normal and not a defect.*

**ITEM # DL-LTH-GRC**

**PATENT PENDING. ALL RIGHTS RESERVED.**

*Designs, images, plans and concepts shown and/or developed during the design phase are intended to indicate general type and quality only. This product offered by Gyms For Dogs™ is individually handcrafted and not mass produced. The Customer acknowledges that the final product may have subtle variations from the designs, images, plans and concepts and may differ slightly from one piece to another due to material characteristics and handcrafting. These minor variations may include slight color and pattern variations. Therefore, each piece has its own desired uniqueness.*

**HAMMIE'S  
TUNNEL HOUSE™**



**CONFIDENTIAL DOCUMENT NOTICE:**

*This information is being sent in good faith as this product specification document is private and intended only for the use of those to whom it is addressed and may contain information that is confidential and prohibited from further disclosure. Electronic or hard copy distribution is strictly prohibited. Thank you for understanding.*