



LIVIN THE DOG LIFE™
 DOG PARK PRODUCTS & DESIGNS



JUMP HOOP | DL-HJN-SM-AG

The Jump Hoop is a progressive jump trainer for dogs of all sizes and abilities. The Jump Hoop features three rings of increasing heights.

KEY FEATURES

COLORS

- NATURAL

PRODUCT DIMENSIONS

- DIMENSIONS (L x W x H): 50.1" x 1" x 25.75"
- WEIGHT (lbs): 15 lbs
- MOUNT TYPE: Surface

RING

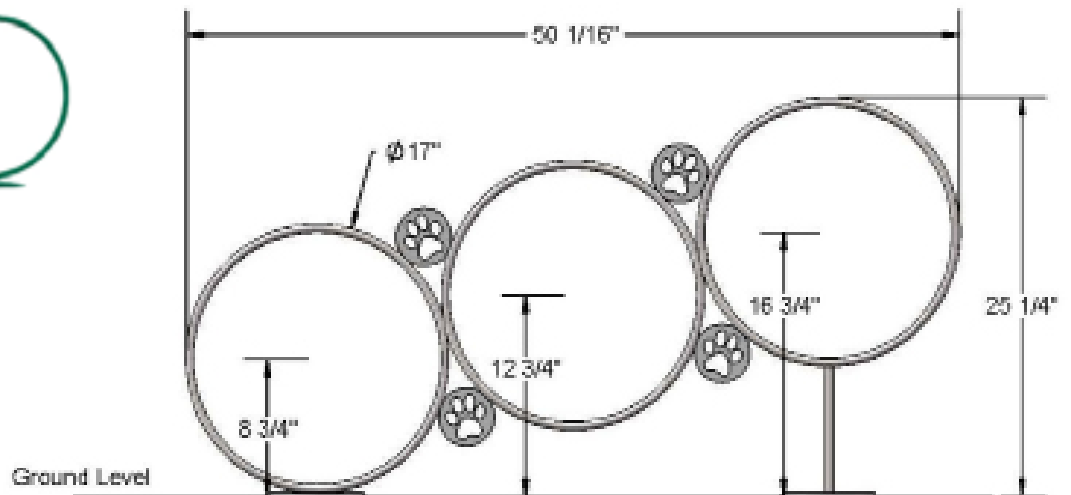
- 1/2" solid steel rod rolled to 17" OD. Electrically MIG welded

HARDWARE

-All stainless steel hardware fasteners



JUMP HOOP



PRODUCT HIGHLIGHTS

URINE RESISTANT

Oven fused functionalized polyethylene copolymer-based thermoplastic. Fluidized bed coating application with superior mechanical performance, impact resistance and UV-stability.

WARRANTY INFO

5 Year Limited Warranty on coated elements. 1 full year to be free of defects in workmanship or materials when installed and maintained properly.