



**LIVIN THE DOG LIFE™**  
DOG PARK PRODUCTS & DESIGNS



**TRAINING PLATFORM | DL-TPP-SM-AG**

The Training Platform provides a place for dogs to take a rest break while running the dog park course or to practice sit and stay commands. Basic grooming can also be accomplished while the dog takes a pause.

**KEY FEATURES**

**COLORS**

- PLAY  

**PRODUCT DIMENSIONS**

- DIMENSIONS (L x W x H) : 36"x 36"x 12"
- WEIGHT (lbs) : 56 lbs

**SHIPPING DIMENSIONS**

- SHIPPING (L x W x H) : 48"x 24"x 48"
- MOUNT TYPE : Surface Mount

**PLANKING**

- 12 gauge sheet steel. 5/8" diameter holes are precision punched to create the perforated pat-tern. 1/4" x 1" flat bar understructure. Electrically MIG welded.

**FRAME**

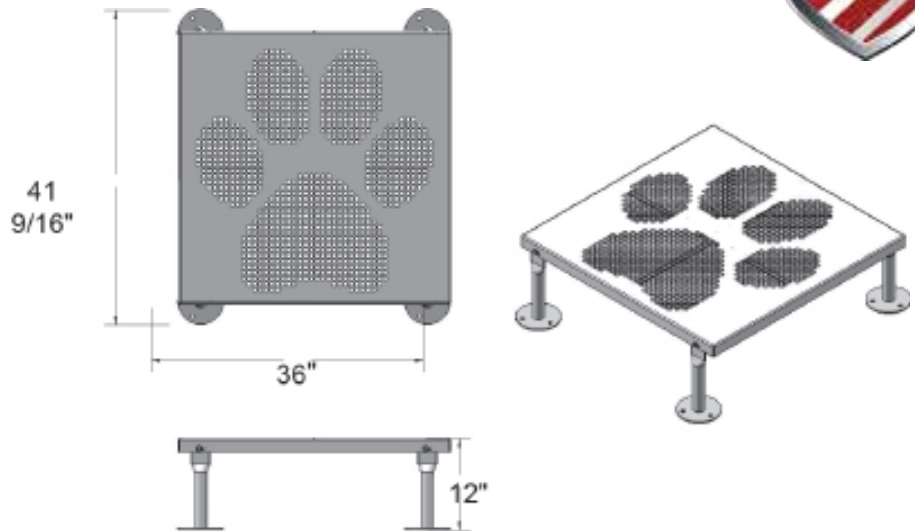
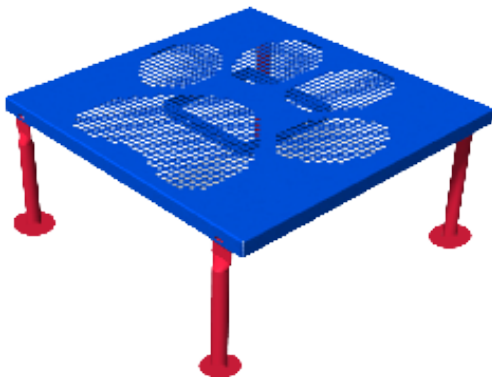
- 1-5/8" O.D. x 14 gauge pre-galvanized structural steel tubing.

**HARDWARE**

- All stainless steel hardware fasteners



# TRAINING PLATFORM



**PRODUCT HIGHLIGHTS**

**SLIP RESISTANT & URINE RESISTANT**

Oven fused functionalized polyethylene copolymer-based thermoplastic. Fluidized bed coating application with superior mechanical performance, impact resistance and UV-stability. Steel walking planks feature a thermoplastic coating that has been specially developed to provide superior slip-resistant traction for dog's paws.

**WARRANTY INFO**

5 Year Limited Warranty on coated elements. 1 full year to be free of defects in workmanship or materials when installed and maintained properly.