



**TUNNEL THRU | DL-TUN-AG**

The Tunnel Thru is a classic crawl tunnel that features many spy holes for increased interior brightness and superior supervision. The large diameter tunnel allows entry by most dogs and is made of heavy-duty rotomolded plastic. It can be mounted in-ground.

**KEY FEATURES**

**COLORS**

- NATURAL 

**PRODUCT DIMENSIONS**

- DIMENSIONS (L x W x H) : 44"x 40"x 45"
- WEIGHT (lbs) : 90 lbs

**SHIPPING DIMENSIONS**

- SHIPPING (L x W x H) : 48"x 48"x 48"
- MOUNT TYPE : In-Ground

**PLANKING**

- 12 gauge sheet steel, 7 gauge x 1-1/2" flat bar understructure. Electrically MIG welded. 1" x 2" rectangular steel tubing is bolted to top surface to create steps.

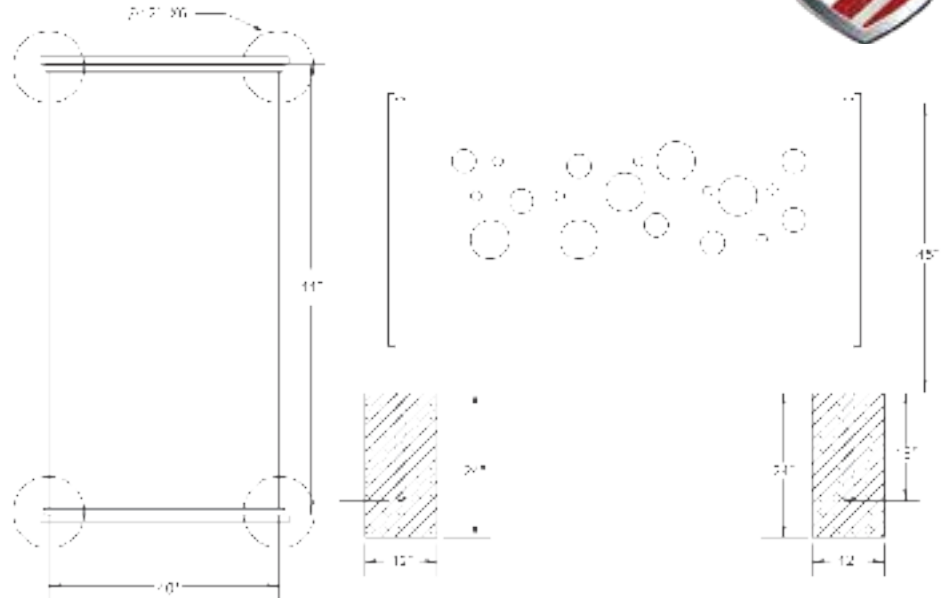
**FRAME**

- 1-5/8" O.D. x 14 gauge pre-galvanized structural steel tubing

**HARDWARE**

-All stainless steel hardware fasteners

# TUNNEL THRU



**PRODUCT HIGHLIGHTS**

**URINE RESISTANT**

Oven fused functionalized polyethylene copolymer-based thermoplastic. Fluidized bed coating application with superior mechanical performance, impact resistance and UV-stability.

**WARRANTY INFO**

5 Year Limited Warranty on coated elements. 1 full year to be free of defects in workmanship or materials when installed and maintained properly.